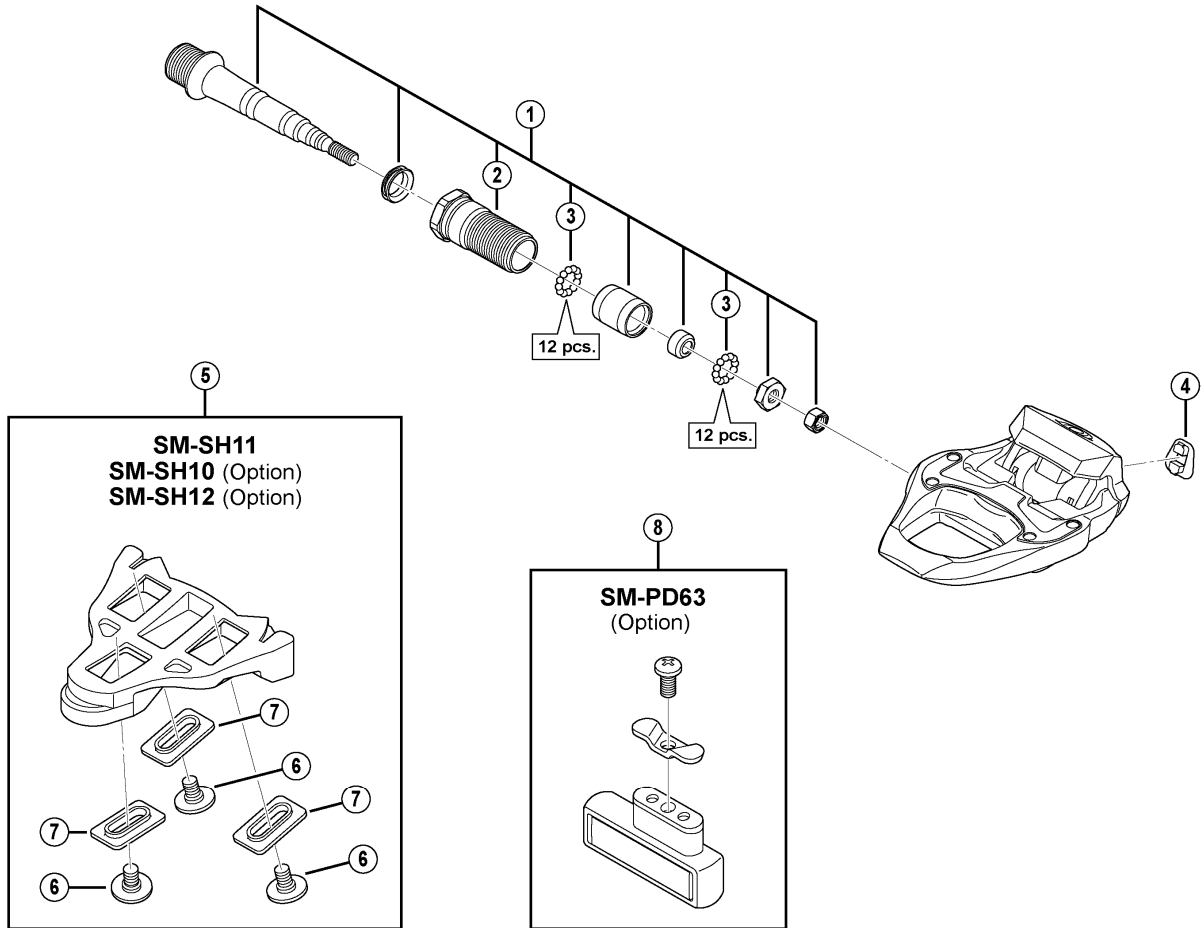


ULTEGRA SPD-SL Carbon Pedals

PD-6800



PD-9000

PD-6700-C

ITEM NO.	SHIMANO CODE NO.	DESCRIPTION	INTERCHANGEABILITY		
1	Y46N98050	Pedal Axle Assembly (Right / B.C.9/16" x 20T.P.I.)			
	Y46N98060	Pedal Axle Assembly (Left / B.C.9/16" x 20T.P.I.)			
2	Y46N98070	Lock Bolt (Right)			
	Y46N98080	Lock Bolt (Left)			
3	Y41N98030	Steel Ball (3/32") 62 pcs.	A	A	
4	Y42U10300	Indicator		A	
5	Y42U98010	SM-SH11 Cleat Set (Self-aligning mode/Pair/M5x8mm)	A	A	
	Y42U98020	SM-SH10 Cleat Set (Fixed mode/Pair/Option/M5x8mm)	A	A	
	Y40B98140	SM-SH12 Cleat Set (Front Center Pivot/Pair/Option/M5x8mm)	A	A	
6	Y42U14000	Cleat Fixing Bolt (M5x8mm/1pc.)			A
	Y42U98060	Cleat Fixing Bolt (M5x13.5mm/6pcs./Option)			A
7	Y42U15010	Cleat Washer (Silver/1pc.)	A	A	
8	Y46J98010	SM-PD63 Reflector Unit (Pair/Option)	A	A	
	Y46J98020	SM-PD63 Reflector Unit (AS/Pair/Option)	A	A	

A: Same parts.

B: Parts are usable, but differ in materials, appearance, finish, size, etc.

Absence of mark indicates non-interchangeability.

Feb.-2013-3607

© Shimano Inc. A

Specifications are subject to change without notice.

SHIMANO